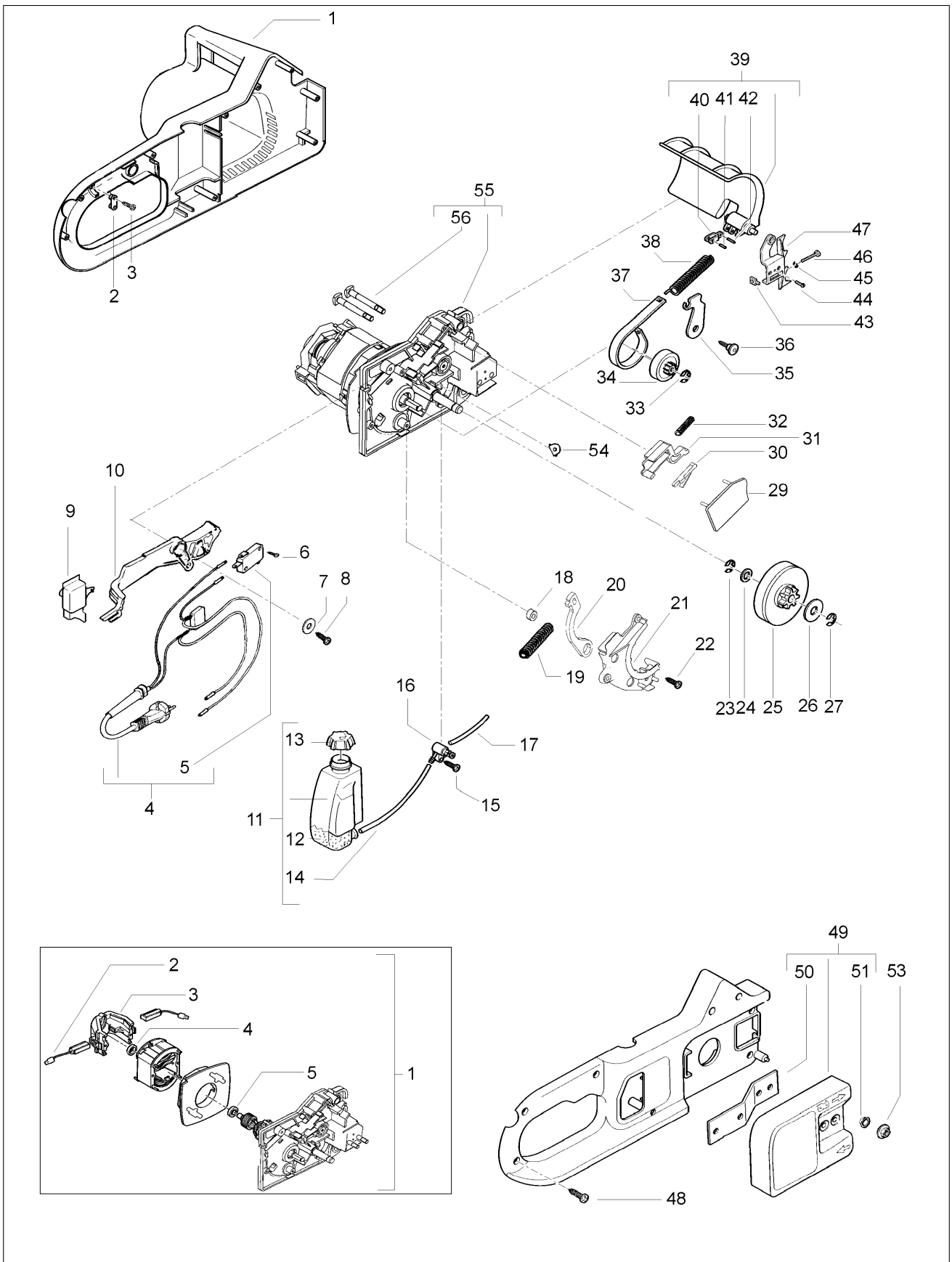


HUSQVARNA OUTDOOR PRODUCTS ITALIA

PNC	ML	Model	Brand
953900172 953900544 953900239 953900572 953900571 953900596	08	P 1535	Partner
953900278	08	P 1540	Partner
953900173 953900448 953900378 953900482 953900597	08	P 1640	Partner

Number of Pages 1 of 3

Factory:	IIQ - Valmadrera	Product Group:	OP 93
Publication Number:	AIPL2007_V390000001	Petrol Portable	
Publication Date:	28/09/07	Sub Group	9434



Item	PN	Qty	Description
FIGURE 1			
1	538249427	1	crankcase kit, yellow
2	538241052	1	wires clamp
3	538241077	2	screw
C 4	538243008	1	wires ass'y(schuko)
C 4	538243039	1	wires ass'y(UK)
C 4	538243038	1	wires ass'y(CH)
C 4	538243044	1	wires ass'y(AU)
C 5 *	538242687	1	microswitch
6	538240862	1	screw self threading 4x18
7	538241703	1	washer
8	538240833	1	screw self threading 3x20
9	538243009	1	trigger
10	538243014	1	trigger lever
C 11	538004305	1	oil tank ass'y
12 *	538242365	1	oil filter
B 13 *	538241060	1	cap
C 14 *	538242402	1	oil tube (tank - oil pump)
15	538240862	1	screw self threading 4x18
B 16	538241183	1	oil pump
17	538229743	1	oil tube (oil tank - chain)
B 18	538243005	1	bushing
19	538243006	1	spring
B 20	538243004	1	brake (stop in time)
21	538243007	1	brake cover
22	538240862	3	screw self threading 4x18
23	538229137	1	seeger D.8
C 24	538241074	1	washer 10x15x1
A 25	538243909	1	gear
C 26	538241075	1	washer 10x30x0,8
B 27	538229137	1	seeger D.8
29	538243020	1	slide cover
C 30	538243019	1	trigger lock
C 31	538243018	1	slide
C 32	538241574	1	spring
33	538241073	1	seeger D.8
B 34	538243003	1	pinion
35	538241044	1	lever
36	538241045	1	screw
37	538241500	1	brake metal stripping
38	538241451	1	brake spring
39	538247717	1	brake lever ass'y
40 *	538241043	1	toggle
41 *	538229394	1	pin
42 *	538241978	1	pin
43	538241037	1	tensioner nut
44	538229082	1	screw
45	538235367	1	seeger ring

Item	PN	Qty	Description
46	538241167	1	screw
47	538241036	1	spiked bumper
48	538240862	8	screw self threading 4x18
C 49	538248317	1	pinion cover ass'y
50 *	538241066	1	pinion cover plate
51 *	538241067	2	bushing
A 53	538242501	2	nut M6
B 54	538243017	1	cap
55	—		FIGURE 2
A 56 *	538241035	2	bar bolt

FIGURE 2			
C 1	538243033	1	motor ass'y
C 2 *	538048956	2	brushes
C 3 *	538048957	1	brushes holder
C 4 *	538216400	1	bearing
C 5 *	538216404	1	bearing

A = ALTA ROTAZIONE	A = HIGH MOVING	A = HAUTE DEMANDE	A = GROBE NACHFRAGE
B = MEDIA ROTAZIONE	B = MEDIUM MOVING	B = MOYENNE DEMANDE	B = MITTELMAESSIGE
C = BASSA ROTAZIONE	C = SLOW MOVING	C = BASSE DEMANDE	C = WENIGE NACHFRAGE
NUOVI CODICI	NEW PARTS	NOUVELLE REFERENCES	NEU CODEX